

Squeegee Assembly Tip 'N Pour

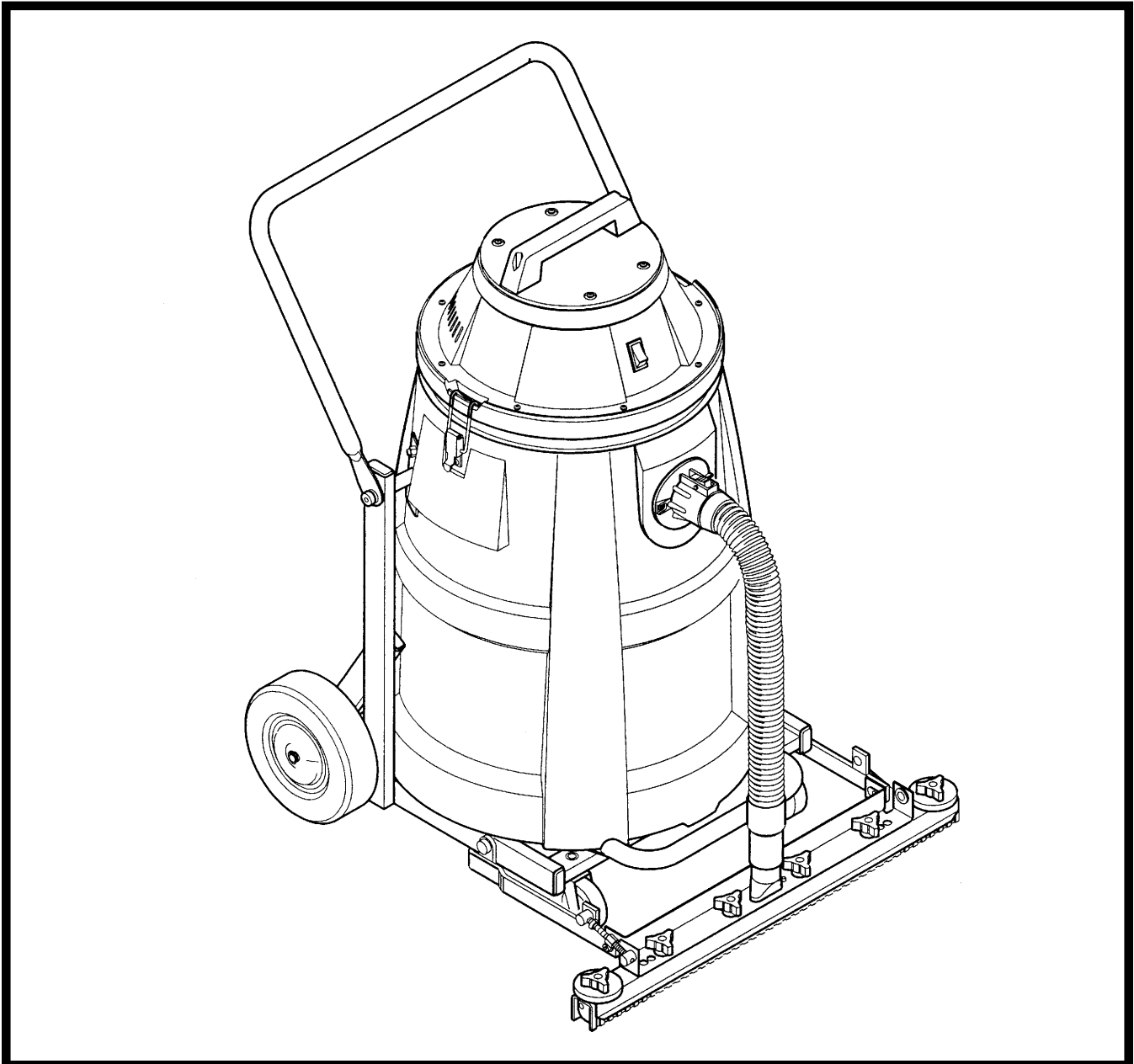
Model: 470100
C39055-07, 08

OPERATION

SERVICE

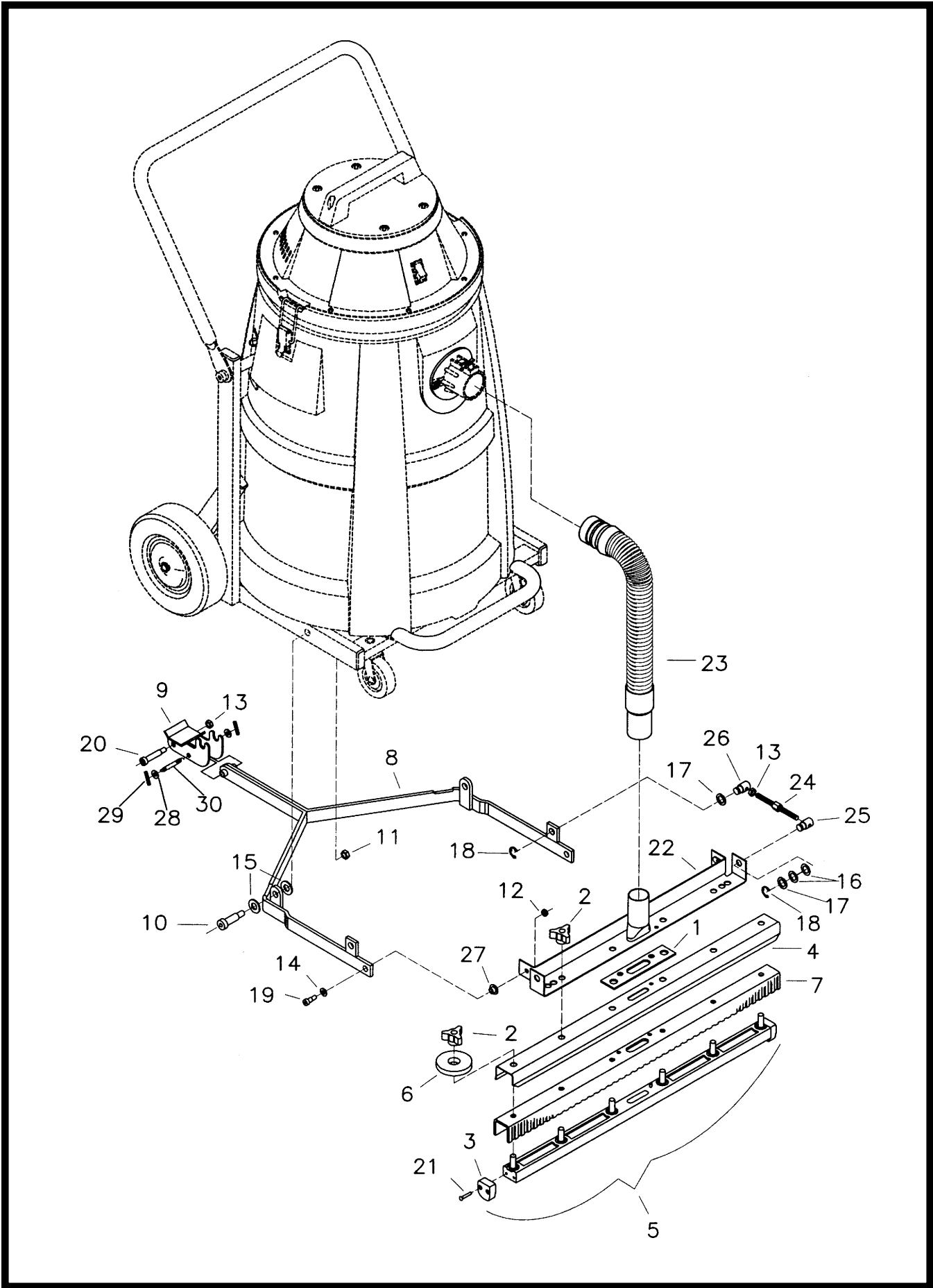
PARTS

CARE



Revised 1/04

Minuteman[®]



Parts Listings

ITEM	PART NO.	QTY	DESCRIPTION
1	430073	1	Gasket Diecut PS Backed
2	430074	6	Adjusting Nut
3	430076	2	Nylon Squeegee Insert
4	430078	1	U Profile
5	430079	1	Casting Squeegee Assembly
6	430085	2	Squeegee Bumper Wheel
7	11-145	1	Squeegee / Gum Rubber
8	470105	1	Squeegee Arm Weldment
9	470106	1	Foot Pedal
10	710992	2	Blt-Shoulder 1/2 x 1.25 x 3/8
11	711375	2	Nut-Nyloc 3/8 - 16 1/2 Nut
12	711377	2	Nut-Lock 1/4 - 20
13	711420	3	Nut-Hex 5/16 - 18 STPL
14	711506	2	WSR-Flat 5/16 ST PL
15	711509	4	WSR-Flat 1/2
16	711524	6	WSR-Wave .52 x .87 x .01
17	711594	4	WSR-Flat .56 x .88 x .03 Nickel
18	711713	4	Retaining Ring-E Ext .50
19	712041	2	Blt-Shoulder 1/4 - 20 x .44 x .37
20	712091	1	Blt-Shoulder 3/8 x 1.5
21	712517	4	SCR-MC FL HD 8/32 x 1 SS
22	750139	1	Squeegee Mtg. Bkt. Asy
23	750140-1	1	Vac Hose Assembly w/New Cuff
24	750689	2	Stud, Adjusting
25	762256PLT	2	Nut Adj. LH Zinc Plate
26	762257PLT	2	Nut Adj. RH Zinc Dichromat
27	829052	2	Bushing-FLG .312 x .437 x .31 NYL
28	711505	2	WSR-Flat 1/4
29	711643	2	Rollpin .187 x 1.12 PLT
30	762084	1	Spring, Extension

ADJUSTMENTS

Angle of squeegee assembly can be adjusted if needed, by loosening nut 13 and turning item 24. Both sides may need adjusting so that squeegee blade is parallel to floor in down position.

LIMITED WARRANTY

Minuteman International, Inc. warrants to the original purchaser/user that this product is free from defects in workmanship and materials under normal use and service for a period of two years from date of purchase. In addition, Minuteman International, Inc. will, at its option, honor labor warranty claims for the first 12 months from date of sale, provided such claims are submitted through and approved by factory authorized repair stations. Minuteman International, Inc. will, at its option, repair or replace without charge, except for transportation costs, parts that fail under normal use and service when operated and maintained in accordance with the applicable operation and instruction manuals.

This warranty does not apply to normal wear, or to items whose life is dependent on their use and care, such as belts, cords, switches, hoses, rubber parts, electrical motor components or adjustments. Parts not manufactured by Minuteman International, Inc. such as engines, batteries, battery chargers, hydraulic pumps, and tires are covered by and subject to the warranties and/or guarantees of their manufacturers. Please contact Minuteman International, Inc. for procedures in warranty claims against these manufacturers.

Special warning to purchaser — Use of replacement filters and/or prefilters not manufactured by Minuteman International, Inc. or its designated licensees, will void all warranties expressed or implied.

A potential health hazard exists without exact original equipment replacement.

All warranted items become the sole property of Minuteman International, Inc. or its original manufacturer, whichever the case may be.

Minuteman International, Inc. disclaims any implied warranty, including the warranty of merchantability and the warranty of fitness for a particular purpose. Minuteman International, Inc. assumes no responsibility for any special, incidental or consequential damages.

This limited warranty is applicable only in the U.S.A. and Canada, and is extended only to the original user/purchaser of this product. Customers outside the U.S.A. and Canada should contact their local distributor for export warranty policies. Minuteman International, Inc. is not responsible for costs or repairs performed by persons other than those specifically authorized by Minuteman International, Inc. This warranty does not apply to damage from transportation, alterations by unauthorized persons, misuse or abuse of the equipment, use of non-compatible chemicals, or damage to property, or loss of income due to malfunctions of the product.

If a difficulty develops with this machine, you should contact the dealer from whom it was purchased.

This warranty gives you specific legal rights, and you may have other rights which vary from state to state. Some states do not allow the exclusion or limitation of special, incidental or consequential damages, or limitations on how long an implied warranty lasts, so the above exclusions and limitations may not apply to you.

Minuteman[®]

World Headquarters
Minuteman International, Inc.
111 South Rohlwing Road
Addison, Illinois 60101

Minuteman Canada, Inc.
2210 Drew Road
Mississauga, Ontario
L5S 1B1

(630) 627-6900
FAX (630) 627-1130

(905) 673-3222
FAX (905) 673-5161

987207
Printed in U.S.A.